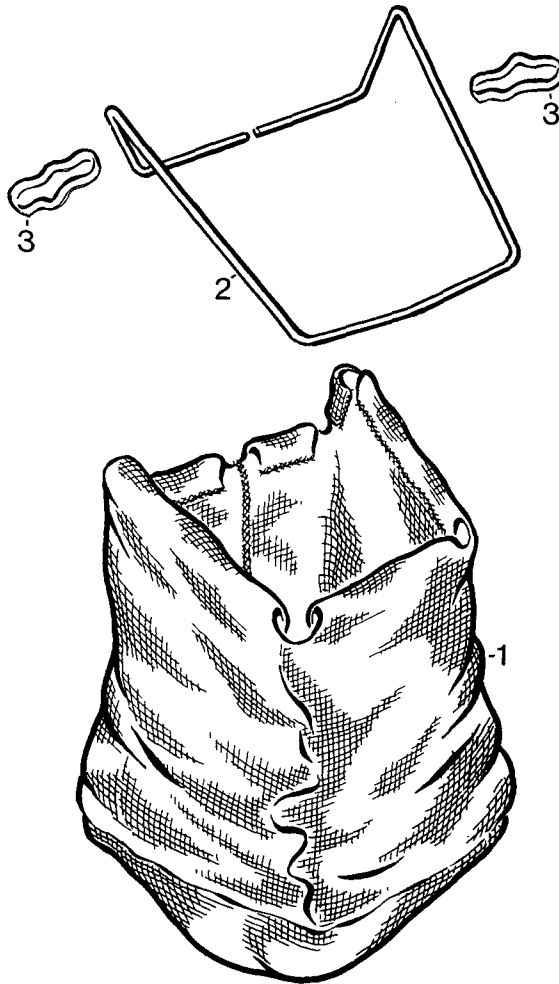


**MB 240-MB241**

Pos	Quantity		Part No	Description
	MB240	MB241		
1	1	1	1717 0097 01	Feeding hopper
2	2	2	1717 0105 01	Rubber flap
3	2	2	1717 0144 01	Mounting strap
4	4	4	9809 0007 02	Screw
12	1	1	1717 0093 01	Cover
13	4	4	9632 0523 00	Pop rivet
14	1	1	1717 0123 01	Pin
15	1	1	9950 0510 16	Screw
16	2	2	1717 0111 01	Clamp
17	2	2	9405 0210 70	Locking nob
18	2	2	9699 0090 02	Flat washer
19	2	2	9405 0032 00	Threaded pin
23	1	1	1717 0092 01	Housing
24	1	1	1717 0126 01	Counter plate
25	2	2	9939 0816 16	Screw
26	2	2	9747 0831 02	Nut
27	1	1	1717 0095 01	Motor housing
28	4	4	9832 9120 16	Screw
29	1	1	9500 2100 00	Electric motor
30	1	1	9400 0255 00	Capacitor
31	4	4	9924 0816 16	Screw
32	1	1	9404 0201 00	Seal ring
36	1	1	1717 0100 01	Plastic cover
37	1	1	1717 0124 01	Sealing cover
38	1	1	1717 0113 01	Compression spring
39	1	1	1717 0112 01	Plunger
40	1	1	1717 0114 01	Switch
41A	1		1717 0138 01	Connection cable
41B		1	1717 0139 01	Connection cable (UK)
42	1	1	1717 0115 01	Cord restrainer
43	2	2	9836 9116 12	Screw
44		1	1717 0140 01	Cord holder
47	1	1	9695 0011 00	Flat washer
48	1	1	1717 0091 01	Blade disc
49	1	1	1717 0127 01	Washer
50	1	1	9734 1241 22	Nut
51	2	2	1717 0090 01	Chipper blade
52	4	4	9859 0610 16	Screw
56	1	1	1717 0103 01	Support tube - rear
57	1	1	1717 0104 01	Support tube - front, left
58	1	1	1717 0104 02	Support tube - front, right
59	4	4	9939 0835 16	Screw
60	5	5	9747 0831 02	Nut
61	3	3	9403 0029 70	End cap
62	1	1	9847 7913 16	Screw
63	1	1	9939 0816 16	Screw
76	1	1	9900 0060 00	Allen wrench (6 mm)
80	1	1	1717 0148 01	Feeding tool

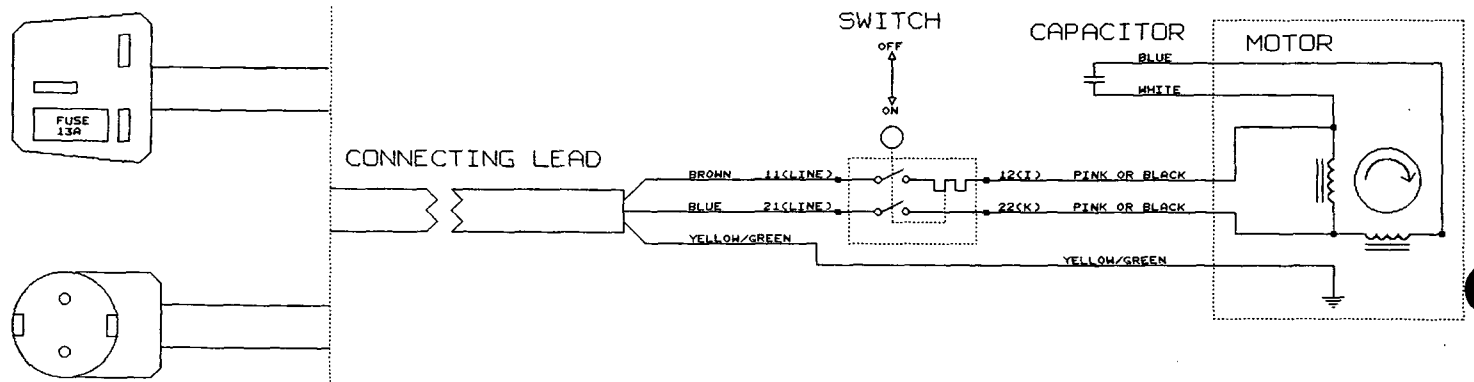
# COLLECTOR (ACCESSORY)



Pos	Quantity	Part No	Description
1	1	1717 0146 01	Collecting bag
2	1	1717 0147 01	Wire frame
3	2	9401 2002 00	Rubber band

## WIRING DIAGRAM

UK



EURO PLUG