

ILLUSTRATED PARTS LIST

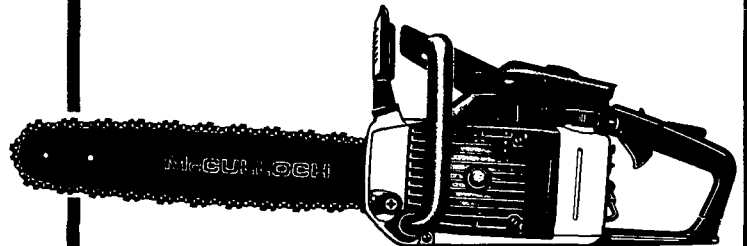
| Pro Mac™ 605 MODELS | SERIAL NUMBER PREFIX |
|---------------------|----------------------|
| 600134-02 | 11- |
| 600134-03 | 11- |
| 600134-04 | 11- |
| 600134-05 | 11- |
| 600134-06 | 11- |

| Super 610 Pro Mac™ 610 MODELS | SERIAL NUMBER PREFIX |
|-------------------------------|----------------------|
| 600041-01 | 13- |
| 600041-04 | 13- |
| 600041-06 | 13- |
| 600041-08 | 13- |
| 600041-09 | 13- |
| 600041-10 | 13- |
| 600041-11 | 13- |
| 600041-15 | 13- |
| 600041-17 | 13- |
| 600041-21 | 13- |
| 600041-22 | 13- |
| 600041-23 | 13- |
| 600041-24 | 13- |

| Pro Mac™ 650 MODELS | SERIAL NUMBER PREFIX |
|---------------------|----------------------|
| 600046-03 | 12- |
| 600046-07 | 12- |
| 600046-08 | 12- |
| 600046-09 | 12- |
| 600046-10 | 12- |
| 600046-18 | 12- |
| 600046-20 | 12- |
| 600046-21 | 12- |

| E.B.® 3.7 MODELS | SERIAL NUMBER PREFIX |
|------------------|----------------------|
| 600133-02 | 12- |
| 600133-03 | 12- |
| 600133-04 | 12- |
| 600133-05 | 12- |

SUPER 610 PRO MAC™ 605, 610 645, 650, 655 and EAGER BEAVER® 3.7 CHAIN SAWS



McCulloch and Eager Beaver® chain saws are identified by a model number (in this instance, 600041, 600046, etc.) followed by a suffix number (01, 02, etc.) stamped on the identification plate attached to the saw. Suffix letters denote variations in parts or assemblies in the manufacture of the saw.

Part numbers listed in this I.P.L. which have a circled number ② or numbers preceding the description, are used only on the model or models identified by a circled number ② or numbers.

Part numbers which have one or more dots (.) preceding their descriptions may be ordered individually, but they are also included in the kit or assembly whose description begins directly above the dot(s).

The policy of McCulloch Corporation is one of continual improvement in design, manufacturing and engineering advancement wherever possible to assure still finer two-cycle power tools. Hence, specifications, equipment, colors, design and manufacturer's suggested list prices are subject to change without notice and McCulloch Corporation reserves the right to make such changes without prior notification or obligation to backfit or supply backfit components for units previously shipped from the factory.

JANUARY 1987

- CONTENTS -

| | Page |
|---|------|
| FIGURE 1 - General | 2 |
| FIGURE 2 - Powerhead and Oiler Asys. | 4 |
| FIGURE 3 - Carburetor Asy. all models except PM 650..... | 6 |
| FIGURE 4 - Carburetor Asy. for PM 650 ... | 7 |
| FIGURE 5 - Chain Brake Assembly..... | 8 |
| FIGURE 6 - Fan Housing & Fuel Tank Asys.. | 8 |
| FIGURE 7 - Specifications | 9 |
| FIGURE 8 - Bar/Chain/Sharpening Tools ... | 9 |
| FIGURE 9 - Tools and Accessories | 9 |
| SERVICE NOTES - Piston Rings | 10 |



**McCULLOCH
CORPORATION**

218689-01-E

Figure 1 GENERAL ASSEMBLY

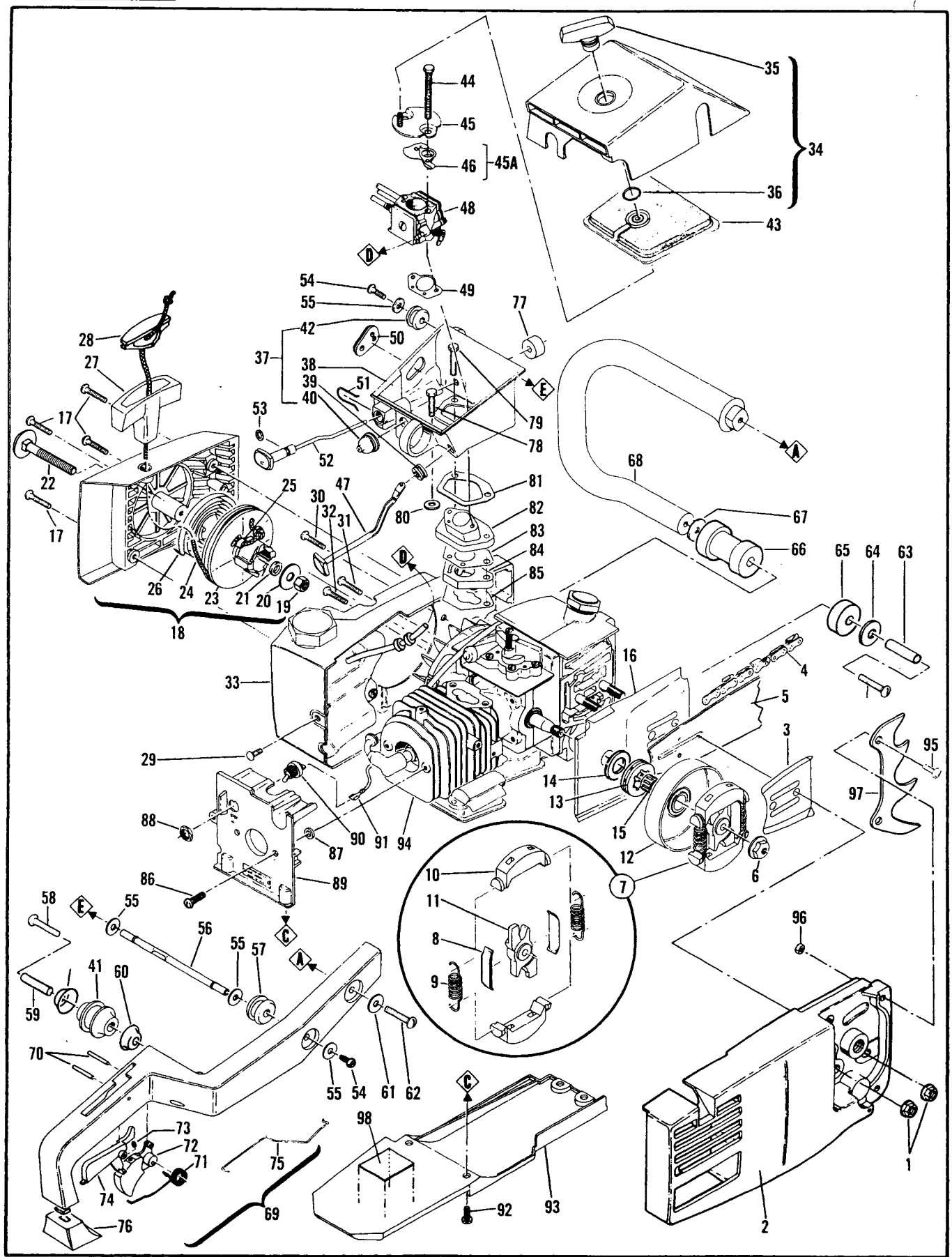


FIGURE 1 GENERAL ASSEMBLY

| ITEM NO. | PART NUMBER | DESCRIPTION | UNITS PER ASY. |
|----------|-------------|---|----------------|
| 1 | 216645 | Nut-Hex Flange | 2 |
| 2 | Fig. 2 | Chain Brake Assembly | 1 |
| 3 | 64325 | Plate-Bar Guide | 1 |
| 4 | Fig. 7 | Chain Assembly | 1 |
| 5 | Fig. 7 | Bar Assembly | 1 |
| 6 | 92457 | Nut-Hex Flange M10 x 1.25 (160-170 in. lb. torque) | 1 |
| 7 | 214301 | Clutch Assembly | 1 |
| 8 | 64583 | . Retainer-Clutch Spring | 2 |
| 9 | 83223 | . Spring-Clutch | 2 |
| 10 | 67233 | . Kit-Clutch Shoe | 1 |
| 11 | 214300 | . Rotor-Clutch | 1 |
| 12 | 214979 ① | Drum/Sprocket Assy. | 1 |
| | 214200 ② | Drum/Hub Assy. | 1 |
| 13 | 86951 ② | Sprocket-Rim .375P | 1 |
| 14 | 86958 ② | Washer-Shim | 1 |
| 15 | 110971 | Bearing-Needle | 1 |
| 16 | 92354 | Jacket-Cylinder | 1 |
| 17 | 120081 | Screw-Pan Hd M4 x 16 (15-20 in. lb. torque) | 4 |
| 18 | 219159 | Starter Assembly | 1 |
| 19 | 111038 | .Nut-1/4-20 (25-30 in. lb. torque) | 1 |
| 20 | 95401 | . Washer-Starter | 1 |
| 21 | 216589 | . Spacer-Starter | 1 |
| 22 | 215848 | . Step Bolt-Starter | 1 |
| 23 | 219163 | . Drum/Rope Kit-Starter | 1 |
| 24 | 87670 | .. Rope-Starter | 1 |
| 25 | 217730 | .. Bushing-Rope | 1 |
| 26 | 87668 | . Spring-Starter Rewind | 1 |
| 27 | 93137 | Starter Handle | 1 |
| 28 | 214699 | Insert Handle | 1 |
| 29 | 120002 | Screw-Pan Hd M5 x 14 (30-35 in. lb. torque) | 1 |
| 30 | 93232 | Screw-Fan Housing M5 x 40 (45-50 in. lb. torque) | 1 |
| 31 | 93233 | Screw-Fan Housing M5 x 35 (45-50 in. lb. torque) | 1 |
| 32 | 93234 | Screw-Fan Housing M5 x 30 (45-50 in. lb. torque) | 1 |
| 33 | Fig. 3 | Fan Housing/Fuel Tank Assy | 1 |
| 34 | 217651 | Cover Assy-Filter | 1 |
| 35 | 91991 | . Knob-Air Filter Cover | 1 |
| 36 | 110565 | . Ring-Retaining | 1 |
| 37 | 95216 | Air Box Assembly | 1 |
| 38 | 95214 | . Box-Air | 1 |
| 39 | 93261 | . Grommet-Choke | 1 |
| 40 | 69597 | . Boot-Control Rod | 1 |
| 41 | 92065 | . Isolator | 1 |
| 42 | 93253 | . Grommet-Strut | 1 |
| 43 | 214226 | Filter-Air | 1 |
| 44 | 120004 | Screw-Hx Hd M5 x 56 (35-40 in. lb. torque) | 2 |
| 45 | 91938 | Bracket Assy-Filter/Cover | 1 |
| 45A | 94482 | Choke & Rod Kit | 1 |
| 46 | 94151 | . Choke-Carburetor | 1 |
| 47 | 94171 | . Rod-Choke | 1 |
| 48 | Fig. 3,4 | Carburetor Assembly | 1 |
| 49 | 91924 | Gasket-Carburetor | 1 |
| 50 | 91995-01 | Grommet-Carburetor Needle | 1 |

| ITEM NO. | PART NUMBER | DESCRIPTION | UNITS PER ASY. |
|----------|-------------|--|----------------|
| 51 | 93458 | Clip-Oiler Button | 1 |
| 52 | 92067-01 | Button/Rod Assy-Oiler | 1 |
| 53 | 105614 | 'O' Ring | 1 |
| 54 | 215266 | Screw-Pan M5 Special (25-30 in. lb. torque) | 2 |
| 55 | 110990 | Washer | 4 |
| 56 | 93252-01 | Strut-Handle | 1 |
| 57 | 93253 | Grommet-Strut | 1 |
| 58 | 111015 | Screw-Pan Hd 1/4-14 x 2.5 (70-80 in. lb. torque) | 2 |
| 59 | 92071 | Spacer | 1 |
| 60 | 92066 | Cup-Isolator | 2 |
| 61 | 102115 | Washer-Plain | 1 |
| 62 | 111014 | Screw-Pan Hd 1/4-14 x 1.75 (70-80 in. lb. torque) | 1 |
| 63 | 92071 | Spacer | 1 |
| 64 | 111027 | Washer-Plain | 1 |
| 65 | 93913 | Isolator | 1 |
| 66 | 94140 | Isolator | 1 |
| | 94847 ③ | Isolator | 1 |
| 67 | 111027 | Washer-Plain | 1 |
| 68 | 91951 | Frame | 1 |
| 69 | 214723 | Handle Assembly | 1 |
| 70 | 110994 | . Pin-Roll | 2 |
| 71 | 93771 | . Spring-Trigger | 1 |
| 72 | 93538-01 | . Trigger | 1 |
| 73 | 111013 | .. Screw-Set | 1 |
| 74 | 91955 | . Release-Trigger | 1 |
| 75 | 214504 | . Rod-Throttle | 1 |
| 76 | 93459 | Boot-Handle | 1 |
| 77 | 92161 | Seal-Air Box | 1 |
| 78 | 120037 | Screw-Hx Hd M5 x 25 (Sems) (35-40 in. lb. torque) | 1 |
| 79 | 120039 | Screw-Hx Hd M5 x 30 (Sems) (35-40 in. lb. torque) | 2 |
| 80 | 93460 | Washer-Insulator | 1 |
| 81 | 94018 | Gasket-Air Box | 1 |
| 82 | 94017-01 | Insulator-Carburetor | 1 |
| 83 | 91933 | Gasket-Air Box | 1 |
| 84 | 91934 | Insulator-Air Box | 1 |
| 85 | 92038 | Gasket-Insulator | 1 |
| 86 | 120037 | Screw-Hx Hd M5 x 25 (Sems) (45-50 in. lb. torque) | 2 |
| 87 | 93460 | Washer-Insulator | 2 |
| 88 | 104810 | Nut-Hx 15/32-32 (30-35 in. lb. torque) | 1 |
| 89 | 218561 | Shroud-Cylinder | 1 |
| 90 | 93890 | Switch-Ignition | 1 |
| 91 | 92466 | Wire Assembly-Switch | 1 |
| 92 | 120002 | Screw-Pan Hd M5 x 14 (45-50 in. lb. torque) | 4 |
| 93 | 214670 | Shroud-Bottom | 1 |
| 94 | Fig. 6 | Powerhead & Oiler Assy | 1 |
| 95 | 120002 ④ | Screw-Pan Hd M5 x 14 | 2 |
| 96 | 120044 ④ | Nut-Hx M5 Lock | 2 |
| 97 | 93668 ④ | Spike | 1 |
| 98 | 219058 | Safety Decal | 1 |

① Used on all models except PM 650.

② Used on all PM 650 Models.

③ Pm 650 Model 600046-10 uses only one (1) Isolator, p/n 94847, in place of two (2) Isolators, one (1) p/n 93913 and one (1) p/n 94140.

④ PM 610 Models: 41-01, -02
128-05, -06
PM 650 Models: 46-02, -11, -19

NOTE:
PM 650 Models 46-01, -03, -04, -07, -08, -19 use four (4) screws, two (2) nuts and two (2) spikes.

Figure 2 Powerhead & Oiler Assembly

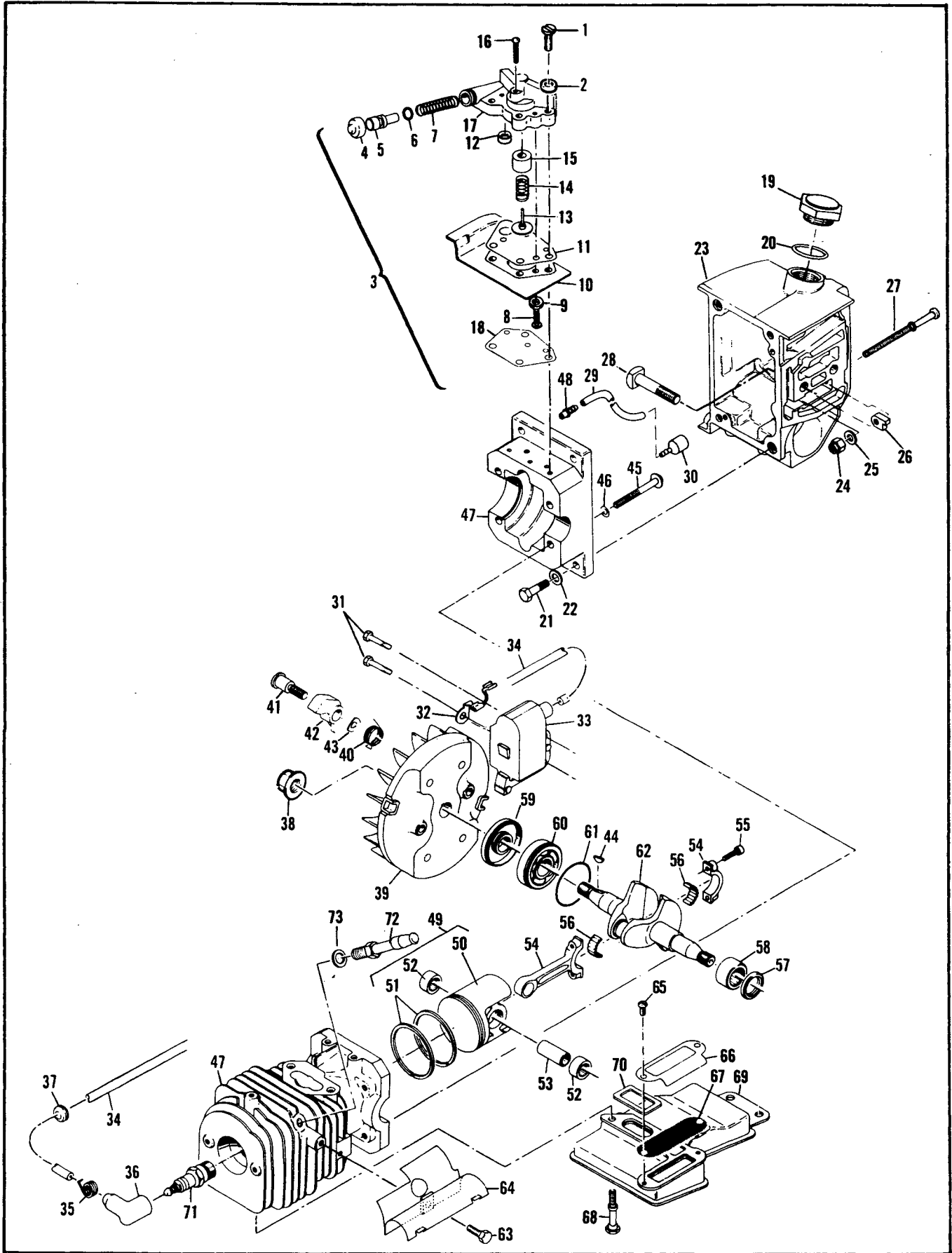


FIGURE 2 POWERHEAD & OILER ASSEMBLY

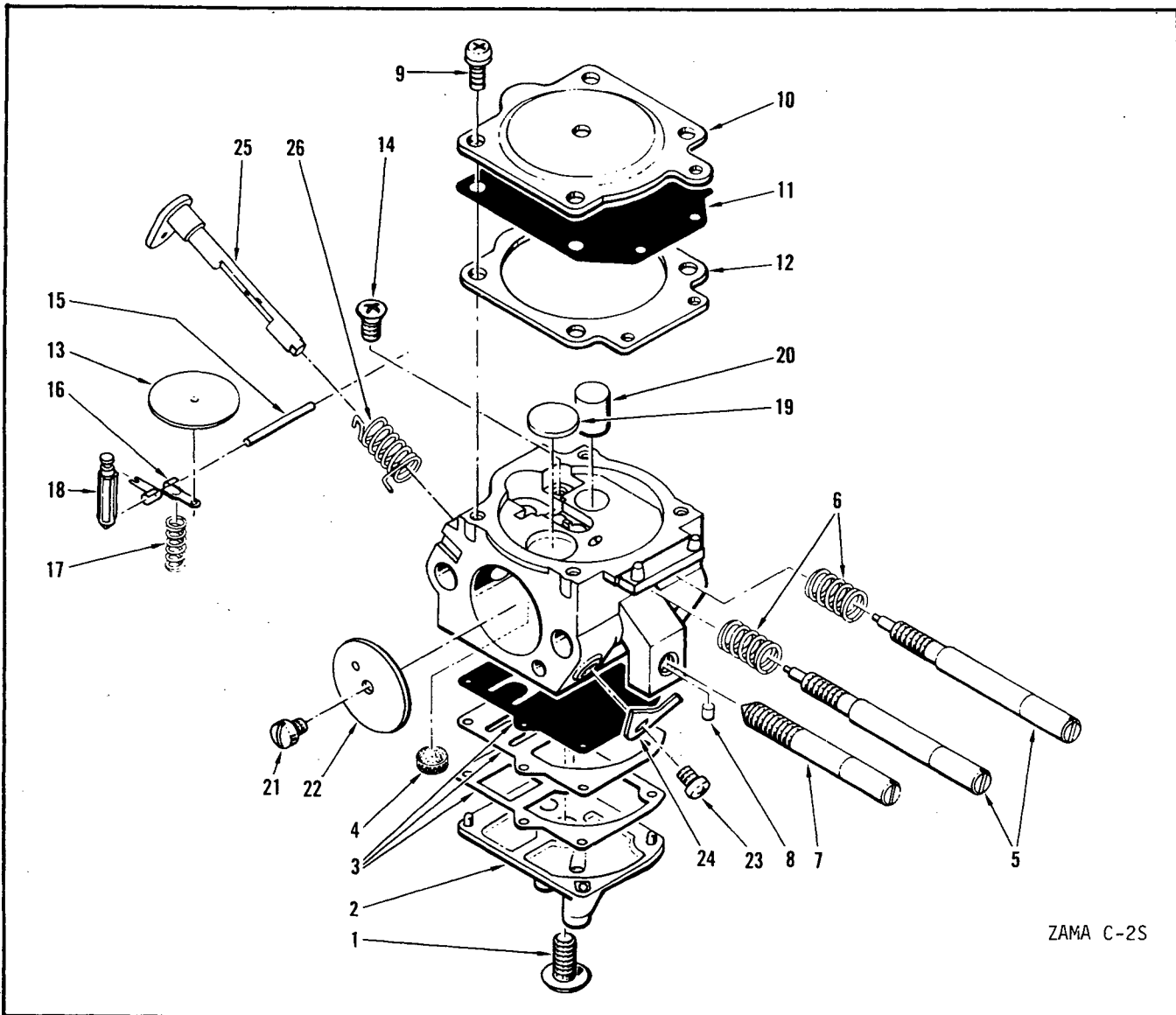
| ITEM NO. | PART NUMBER | DESCRIPTION | UNITS PER ASY. | ITEM NO. | PART NUMBER | DESCRIPTION | UNITS PER ASY. | |
|----------|-------------|---|----------------|----------|-------------|---|------------------|---|
| 1 | 120036 | Screw-Pan Hd M4 x 25 (Sems) (10-15 in. lb. torque) | 4 | 44 | 100106 | Key-Woodruff | 1 | |
| 2 | 67177 | Washer-Insulating | 4 | 45 | 62106 | Screw-Wsh. Hd 12-24 x 1 3/4 (70-75 in. lb. torque) | 4 | |
| 3 | 219380 | Pump Assy-Oiler (Pulse) | 1 | 46 | 111025 | Washer-Sealing | 4 | |
| 4 | 215151 | .Cap-Oil Pump | 1 | 47 | 94536 | Cyl/C'Case Assembly | 1 | |
| 5 | 93933 | .Plunger-Oil Pump | 1 | ① | 218814 | Cyl/C'Case Assembly | 1 | |
| 6 | 105614 | .'O' Ring | 1 | 48 | 92096 | .Nipple-Oil Line | 1 | |
| 7 | 66687 | .Spring-Plunger | 1 | 49 | ② | 94130 | Piston Assembly | 1 |
| 8 | 110706 | .Screw-Pan Hd 8-18 x .50 (10-15 in. lb. torque) | 3 | ① | 219269 | Piston Assembly | 1 | |
| 9 | 216354 | .Gasket Washer | 1 | 50 | -- -- | .Piston | 1 | |
| 10 | 217218 | .Cover-Diaphragm | 1 | ① | 92514 | .Piston-1.807 | 1 | |
| 11 | 216992 | .Diaphragm-Oiler | 1 | 51 | ② | 94132 | .Ring Set-Piston | 1 |
| 12 | 217217 | .Valve-Oiler | 1 | ① | 92517 | .Ring Set-Piston | 1 | |
| 13 | 91945 | .Piston Assembly-Pulse | 1 | 52 | 111021 | .Bearing-Needle | 2 | |
| 14 | 94322 | .Spring-Return | 1 | 53 | 87710 | .Pin-Piston | 1 | |
| 15 | 91944 | .Sleeve-Oil Pump | 1 | 54 | 85352 | Rod Assembly-Connecting | 1 | |
| 16 | 218530 | .Screw-Hex/Slot 6-40 x .875 | 1 | 55 | 61627-01 | .Screw-Con Rod (55-65 in. lb. torque) | 2 | |
| 17 | 217202 | .Body-Assembly-Oil Pump | 1 | 56 | 63225 | Roller Bearing-Needle (set of 20) | 1 | |
| 18 | 91950 | Gasket-Oil Pump | 1 | 57 | 110260 | Seal-Oil .625 I.D. x .875 | 1 | |
| 19 | 216052 | Cap w/Retainer-Oil | 1 | 58 | 104357 | Bearing-Needle | 1 | |
| 20 | 101148 | 'O' Ring | 1 | 59 | 67906 | Seal-Oil | 1 | |
| 21 | 120006 | Screw-H5 Hd M6.3 x 24 (75-80 in. lb. torque) | 4 | 60 | 67905 | Bearing Ball | 1 | |
| 22 | 100004 | Washer-Pl. .265 I.D. x .032 | 4 | 61 | 63464 | Ring-Snap | 1 | |
| 23 | 218583 | Tank Assembly-Oil | 1 | 62 | 217041 | Crankshaft | 1 | |
| 24 | 110950 | .Nut-Lock | 1 | 63 | 102762 | Screw-Hx Hd 10-24 x 1/2 (55-60 in. lb. torque) | 1 | |
| 25 | 102115 | .Washer-Plain | 1 | 64 | 217607 | Deflector-Exhaust | 1 | |
| 26 | 91982 | .Nut-Bar Adjustment | 1 | 65 | 120038 | Screw-Pan M4 x 8 (34-45 in. lb. torque) | 2 | |
| 27 | 94362 | .Screw-Bar Adjustment | 1 | 66 | 93481 | Plate-Deflector | 1 | |
| 28 | 92459 | .Bolt-Bar | 2 | 67 | 94958 | Screen-Muffler | 1 | |
| 29 | 92616 | Hose-Oil Pickup | 1 | 68 | 95444 | Screw-Muffler (65-75 in. lb. torque) | 2 | |
| 30 | 92465 | Pickup-Oil | 1 | 69 | 93603 | Muffler Assembly | 1 | |
| 31 | 120037 | Screw-Hx M5 x 25 (Sems) (55-60 in. lb. torque) | 2 | 70 | 84007 | Gasket-Muffler | 1 | |
| 32 | 84686-01 | Wire Assembly | 1 | 71 | 235593 | Spark Plug (120 in. lb. Torque) | 1 | |
| 33 | 95553 | Ignition Assembly-Electronic | 1 | 72 | ③ | 214304 | Valve-DSP | 1 |
| 34 | 95270 | .Wire Assembly-Spark | 1 | 73 | ③ | 214765 | Washer-DSP Valve | 1 |
| 35 | 102556 | ..Connector-Spark Plug | 1 | | | | | |
| 36 | 95266 | ..Boot-Spark Plug | 1 | | | | | |
| 37 | 110995 | .Grommet-Spark Plug Wire | 1 | | | | | |
| 38 | 94500 | Nut-Hx Flange M10 (265-325 in. lb. torque) | 1 | | | | | |
| 39 | 216739 | Flywheel/Pawl Assembly | 1 | | | | | |
| 40 | 93144 | .Spring-Starter | 2 | | | | | |
| 41 | 95362 | .Screw-Starter Pawl | 2 | | | | | |
| 42 | 95361 | .Pawl-Starter | 2 | | | | | |
| 43 | 213253 | .Washer-Spring | 2 | | | | | |

① Use on PM 605, 645 only.

② Before ordering piston ring set for your PM 610, PM 650, PM 655 see service notes on Page 10.

③ Used on all PM 650 models equipped with a DSP valve.

Figure 3 CARBURETOR ASSEMBLY



ZAMA C-2S

| ITEM NO. | PART NUMBER | DESCRIPTION | UNITS PER ASY. |
|----------|-------------|-------------------------------|----------------|
| | 95763 | Carburetor Asy. (Zama C-2S) | |
| 1 | - | . Screw - Pump Cover | 1 |
| 2 | 214954 | . Cover - Pump | 1 |
| 3 | - | ①② . Kit - Pump Diaphragm | 1 |
| 4 | - | ① . Screen - Filter | 1 |
| 5 | - | ① . Screw - Adjustment | 2 |
| 6 | - | ① . Spring - Adjustment Screw | 2 |
| 7 | - | . Screw - Throttle Adjustment | 1 |
| 8 | - | . Piece - Friction | 1 |
| 9 | 93945 | . Screw - Diaphragm Cover | 4 |
| 10 | 214945 | . Cap | 1 |
| 11 | - | ①② . Diaphragm - Main | 1 |
| 12 | - | ①② . Gasket - Main | 1 |
| 13 | - | ① . Disk | 1 |

| ITEM NO. | PART NUMBER | DESCRIPTION | UNITS PER ASY. |
|----------|-------------|-------------------------------|----------------|
| 14 | 91814 | ② . Screw Pin Lever | 1 |
| 15 | 93942 | ① . Pin - Arm | 1 |
| 16 | - | ② . Arm - Needle Valve | 1 |
| 17 | - | ② . Spring - Arm | 1 |
| 18 | - | ① . Valve - Needle | 1 |
| 19 | 93951 | . Plug - Welsh | 1 |
| 20 | - | ① . Orifice - Main Fuel | 1 |
| 21 | - | . Screw - Plate | 1 |
| 22 | - | . Valve - Throttle | 1 |
| 23 | - | . Screw | 1 |
| 24 | - | . Lever - Throttle Adjustment | 1 |
| 25 | - | . Shaft Assembly - Throttle | 1 |
| 26 | - | . Spring - Throttle Return | 1 |

NOTE: Used on all models except PM 650.

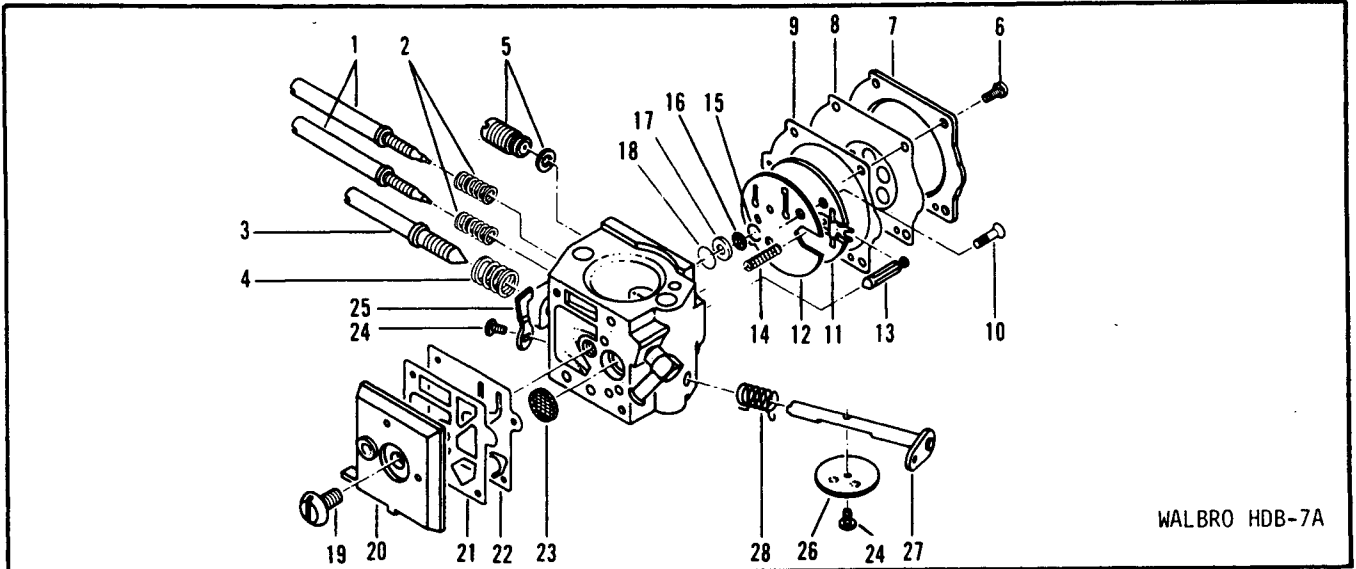
① Contained in Repair Kit, P/N 214959.

② Contained in Gasket/Diaphragm Kit, P/N 218892.

NOTE: Items are listed for identification and disassembly sequence purposes and only those items with part numbers listed or items included in the repair kits are available as service parts.

CARBURETOR ASSEMBLY

Figure 4



WALBRO HDB-7A

| ITEM NO. | PART NUMBER | DESCRIPTION | UNITS PER ASY. |
|----------|-------------|-------------------------------------|----------------|
| | 95631 | Carburetor - Walbro HDB-7A (PM 650) | |
| 1 | - - ① | Needle - Hi Speed & Idle | 2 |
| 2 | - - ① | Spring - Needle Adjustment | 2 |
| 3 | - - | Screw - Idle | 1 |
| 4 | - - | Spring - Idle Adjustment | 1 |
| 5 | - - | Governor Asy. (HDB-7A Only) | 1 |
| 6 | - - | Screw - Metering Cover | 4 |
| 7 | - - | Cover - Metering Diaphragm | 1 |
| 8 | - - ① ② | Diaphragm Asy. - Metering | 1 |
| 9 | - - ① ② | Gasket - Metering Diaphragm | 1 |
| 10 | - - ① | Screw - Circuit Plate | 1 |
| 11 | - - ① | Plate Assembly - Circuit | 1 |
| 12 | - - ① ② | Gasket - Circuit Plate | 1 |

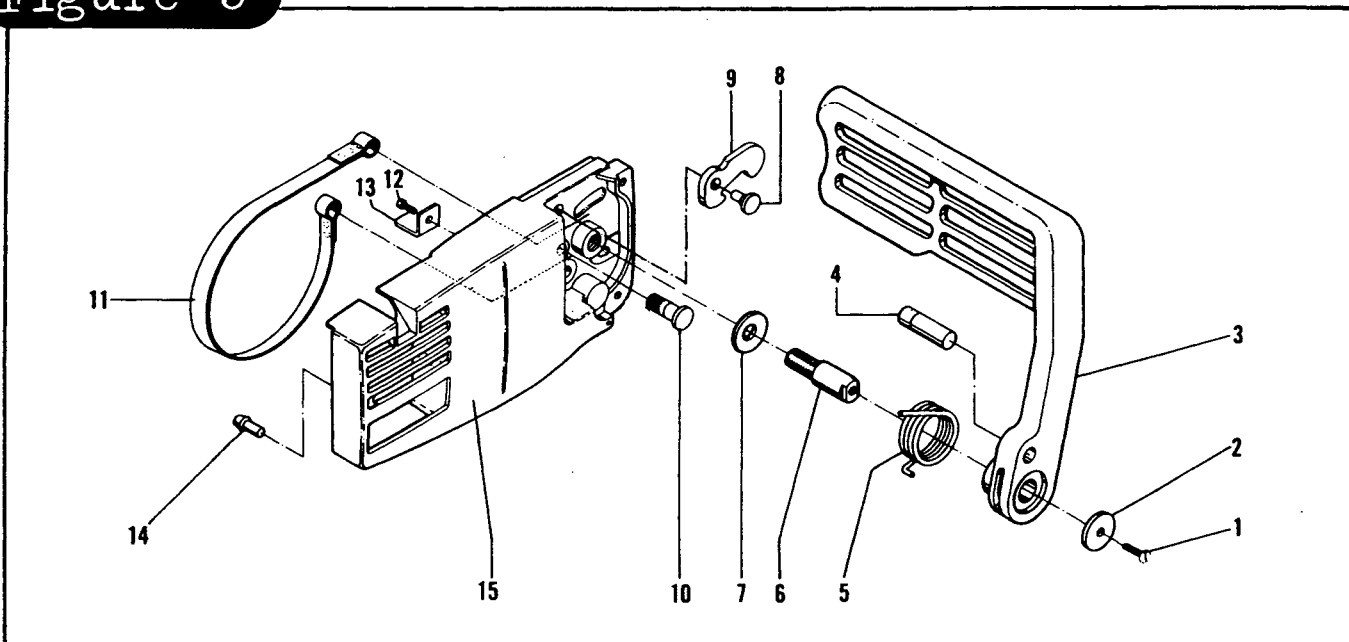
| ITEM NO. | PART NUMBER | DESCRIPTION | UNITS PER ASY. |
|----------|-------------|---------------------------|----------------|
| 13 | - - ① ② | Valve - Inlet Needle | 1 |
| 14 | - - ① ② | Spring - Metering Lever | 1 |
| 15 | - - ① ② | Ring - Screen Retaining | 1 |
| 16 | - - ① ② | Screen - Check Valve | 1 |
| 17 | - - | Retainer - Check Valve | 1 |
| 18 | - - | Valve - Check | 1 |
| 19 | - - | Screw - Fuel Pump Cover | 1 |
| 20 | - - | Cover - Fuel Pump | 1 |
| 21 | - - ① ② | Gasket - Fuel Pump | 1 |
| 22 | - - ① ② | Diaphragm - Fuel Pump | 1 |
| 23 | - - ① ② | Screen - Inlet | 1 |
| 24 | - - ① | Screw - Valve | 2 |
| 25 | - - | Stop - Throttle | 1 |
| 26 | - - | Valve - Throttle | 1 |
| 27 | - - | Shaft Assembly - Throttle | 1 |
| 28 | - - ① | Spring Throttle Return | 1 |

① Contained in Major Repair Kit, P/N 217075. 224146

② Contained in Minor Repair Kit, P/N 217077. 224143

NOTE: Items are listed for identification and disassembly sequence purposes and ONLY those items included in the Major and Minor Repair Kits are available as service replacement parts.

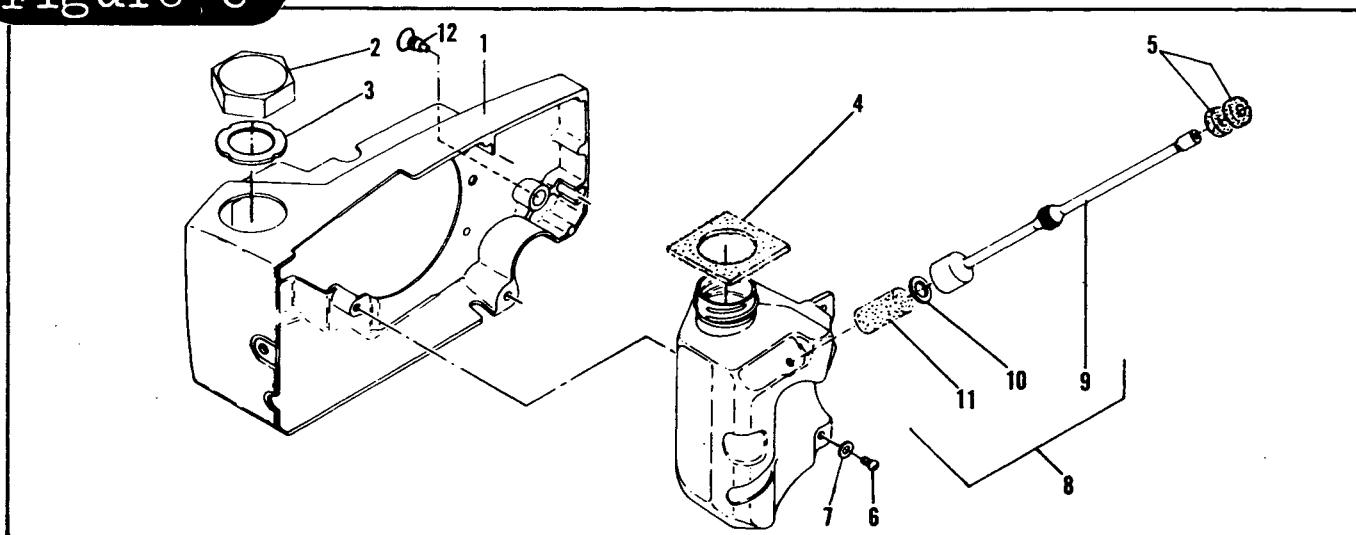
Figure 5 CHAIN BRAKE® ASSEMBLY



| ITEM NO. | PART NUMBER | DESCRIPTION | UNITS PER ASY. |
|----------|-------------|-----------------------|----------------|
| | 217697 | Brake Assembly | 1 |
| 1 | 216634 | . Screw 10 24 x .50 | 1 |
| 2 | 216633 | . Washer-Plain | 1 |
| 3 | 217115 | . Flag Assembly-Brake | 1 |
| 4 | 214366 | . Pin Assembly-Roller | 1 |
| 5 | 93085 | . Spring-Brake | 1 |
| 6 | 91246 | . Pin-Lever Pivot | 1 |
| 7 | 91245 | . Washer-Thrust | 1 |
| 8 | 94144 | . Pivot-Latch | 1 |

| ITEM NO. | PART NUMBER | DESCRIPTION | UNITS PER ASY. |
|----------|-------------|-------------------------|----------------|
| 9 | 217235 | . Latch | 1 |
| 10 | 93082 | . Pin-Band Anchor | 1 |
| 11 | 93081 | . Band-Brake | 1 |
| 12 | 216687 | . Screw-M5 x 14.25 | 1 |
| 13 | 92178 | . Stop-Chain | 1 |
| 14 | 92086 | . Snubber-Brake Housing | 1 |
| 15 | 217698 | . Housing-Brake | 1 |

Figure 6 Fan Housing & Fuel Tank Assemblies



| ITEM NO. | PART NUMBER | DESCRIPTION | UNITS PER ASY. |
|----------|-------------|-----------------------------|----------------|
| 1 | 216154 | Housing-Fan | 1 |
| 2 | 216157 | Cap/Retainer Assembly-Fuel | 1 |
| 3 | 94707 | . Gasket-Fuel Cap | 1 |
| 4 | 93251 | Seal-Fuel Vent | 1 |
| 5 | 92161 | Seal-Air Box | 2 |
| 6 | 120068 | Screw-Pan Hd M4 x 12 (SEMS) | 2 |

| ITEM NO. | PART NUMBER | DESCRIPTION | UNITS PER ASY. |
|----------|-------------|----------------------|----------------|
| 7 | 69322 | Washer-Hard No. 8 | 2 |
| 8 | 94901 | Tank Assembly-Fuel | 1 |
| 9 | 94899 | . Hose Assembly-Fuel | 1 |
| 10 | 100440 | . Washer-5/16 | 1 |
| 11 | 63932 | . Filter-Fuel | 1 |
| 12 | 216316 | Plug-Push | 1 |

① Used only if your unit is so equipped.

SPECIFICATIONS Figure 7

| | |
|--|--|
| Displacement PM 610/650/E.B. 3.7 | 3.7 cu. in. (60cc) |
| PM 605. | 3.5 cu. in. (58cc) |
| Bore and Stroke PM 610/650/E.B. 3.7. | 1.9 in. x 1.5 in. (4.7mm to 35mm) |
| PM 605 | 1.8 in. x 1.375 in. (40mm x 35mm) |
| Ignition | Electronic (C.D.I.) |
| Lamination Gap | .011 in. to .015 in. (.28mm to .38mm) |
| Timing | 26 BTDC |
| Spark Plug Gap | .025 in. (.63mm) |
| Clutch Engagement Speed. | 2800 to 3000 RPM |
| Idle Speed | 1800 to 2000 RPM |
| Fuel Tank Capacity | 17.3 Ounces (510cc) |
| Fuel Type. | Regular Grade Leaded or Unleaded Gas |
| Fuel/Oil Mixture | 40:1 Using McCulloch Oil 20:1 Using SAE Two Cycle |
| Oil Tank Capacity. | 14.6 Ounces (430cc) |
| Main Bearings. | Needle and Ball |
| Connecting Rod Bearings. | Needle |
| Weight (Power Unit Only) All except PM 650 | 14.7 Lbs. |
| PM 650. | 14.8 Lbs. |

Figure 8 Bar/Chain/Chain Sharpening Tools

| PART NUMBER | BAR DESCRIPTION | PART NUMBER | CHAIN DESCRIPTION | FILE PLATE PART NUMBER | ROUND FILE PART NUMBER |
|-------------|------------------|-------------|-------------------|------------------------|------------------------|
| 214237 | Sprocket Tip 16" | 218839-12 | PMR370 GLX-60CL | 219132 | 219161* 56698-23** |
| 217025 | Sprocket Tip 18" | 218062-12 | PMR370 GLX-66CL | 219132 | 219161* 56698-23** |
| 214238 | Sprocket Tip 20" | 218069-12 | PMR370 GLX-70CL | 219132 | 219161* 56698-23** |

* 7/32" Round File Twin Pack
** 7/32" Round File 12-Pack

TOOLS & ACCESSORIES Figure 9

| PART NUMBER | DESCRIPTION | PART NUMBER | DESCRIPTION |
|-------------|---------------------------------|-------------|--------------------------------|
| 215432 | Pressure Test Tool | 93770 | Case Custom Lubricant 40:1 |
| 63137 | Adaptor - Exhaust | | Case Contains 48 cans 6 ounces |
| 94415 | Adaptor - Intake | 95159 | Allen Wrench - 5mm |
| 84223 | Kit - Piston Tools | 69794 | Locquic |
| 95218 | Air Filter - Felt | 110083 | R.T.V. Sealant |
| 214221 | Scrench | 94121 | Kit - Carrying Case 20 Inches |
| 214195 | Gun-Lube (Disposable) | 214203 | . Scabbard 20 Inches |
| 214194 | Gun-Lube (Deluxe) | 214208 | Kit - Spike |
| 85707 | Case - Custom Lubricant 40:1 | | |
| | Case contains 24 cans 16 ounces | | |

SERVICE NOTES:

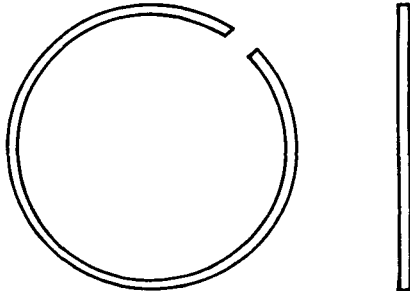
PM 610 PISTON RINGS

Piston rings used on PM 610 Chain saws built before February 1984 are different than piston rings used on PM 610 units built since 1984. The rings are not interchangeable.

BEFORE FEBRUARY 1984

PM 610 Piston Rings (Thick)

If PM 610 being serviced is equipped with the thicker piston ring as illustrated in ACTUAL SIZE below, order p/n 94133.



SINCE FEBRUARY 1984

PM 610 PISTON RINGS (Thin)

If PM 610 being serviced is equipped with the thinner piston ring as illustrated in ACTUAL SIZE below, order p/n 94132.

