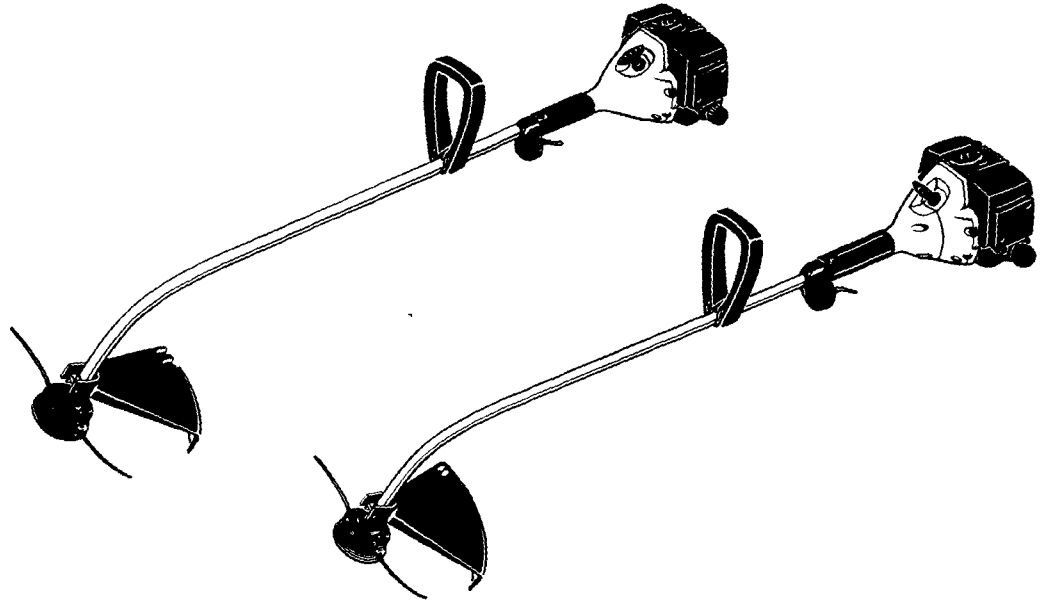


**MT 270 X**  
 12400128-07  
 12400128-45

**MT 280 X**  
 12400128-12  
 12400128-60

**CB 28**  
 12400128-84

P/N 211472-01



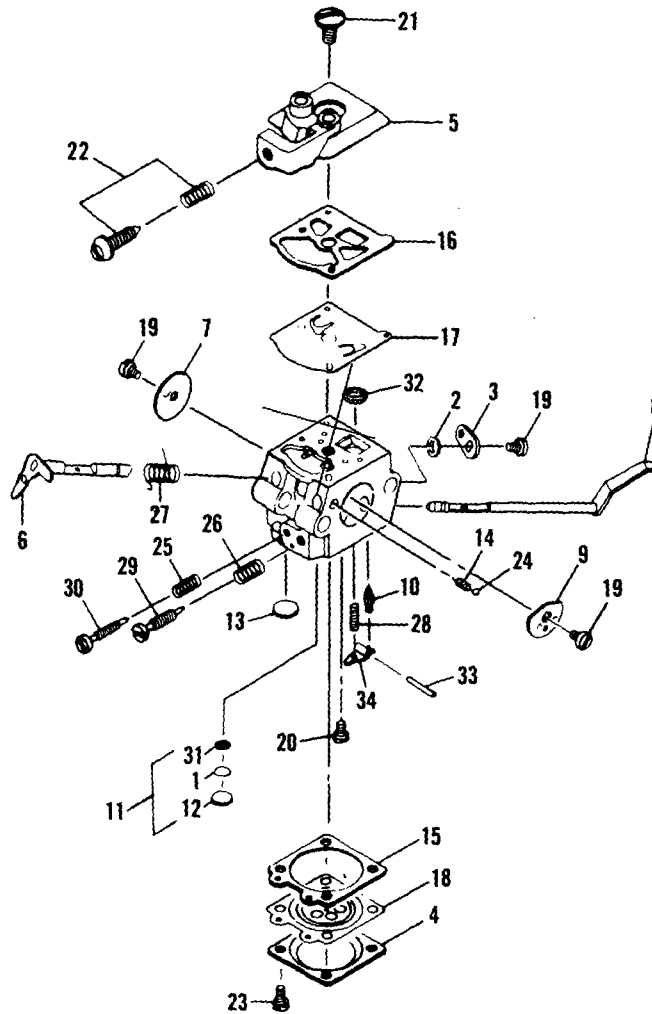
APRIL 1995

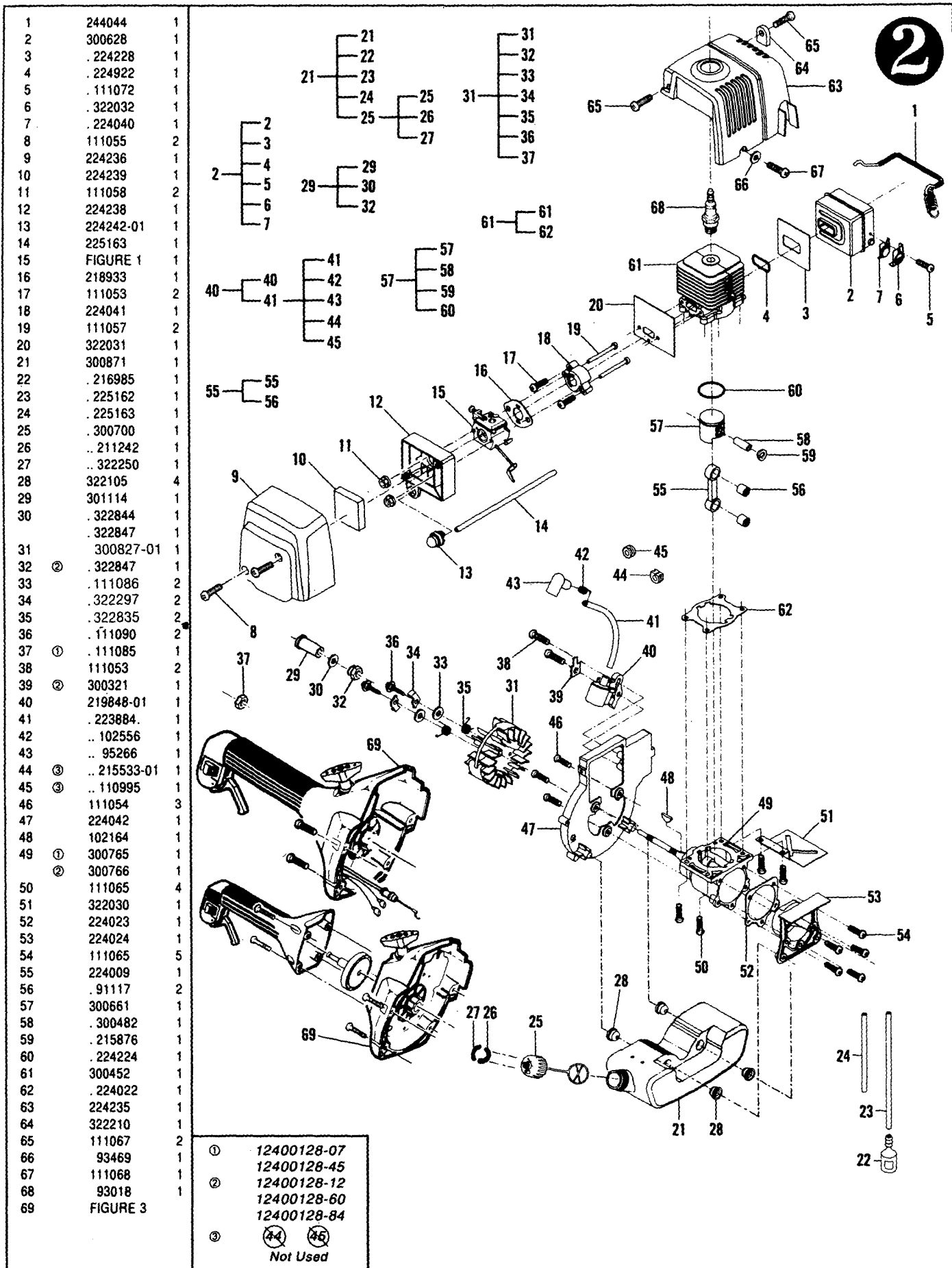
**McCULLOCH.**

224033-02 WALBRO WT231A

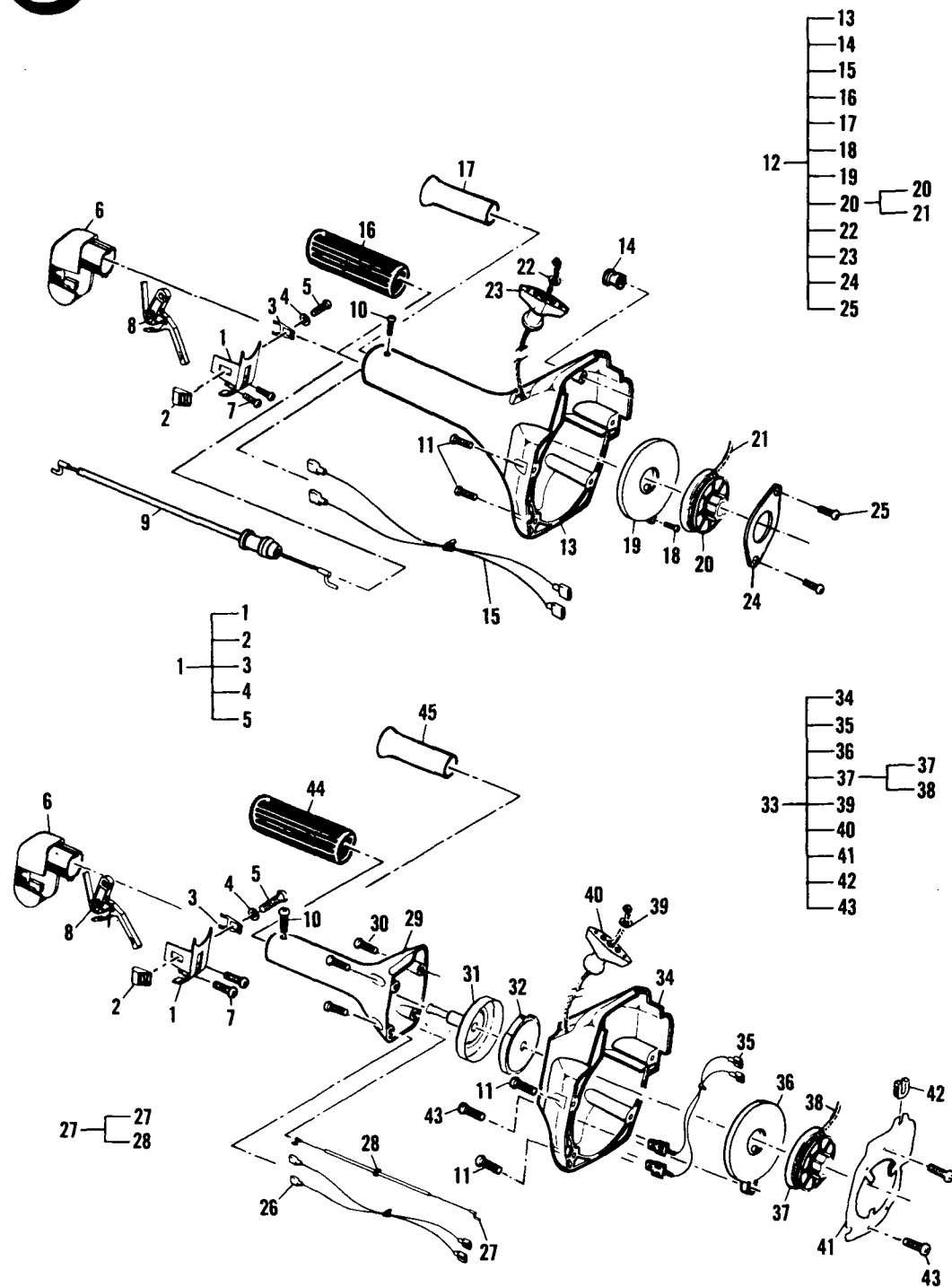
1	①	1
2		1
3		1
4		1
5	300072	1
6		1
7		1
8	③	1
9	③	1
10	①	1
11		1
12	①	1
13		1
14	③	1
15	① ②	1
16	① ②	1
17	① ②	1
18	① ②	1
19	① ③	3
20	①	1
21		1
22		1
23	①	4
24	③	1
25	①	1
26	①	1
27	①	1
28	①	1
29	①	1
30	①	1
31	①	1
32	①	1
33	①	1
34	①	1

① 300457  
 ② 224460  
 ③ 322363





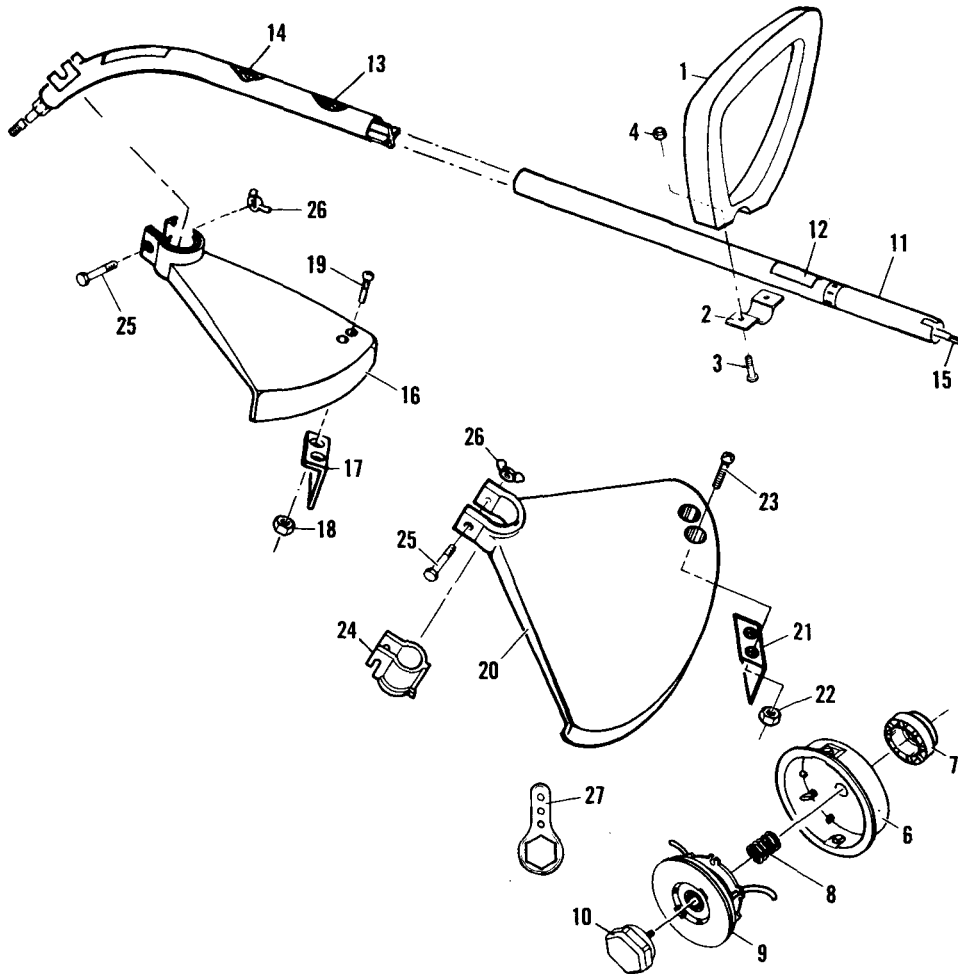
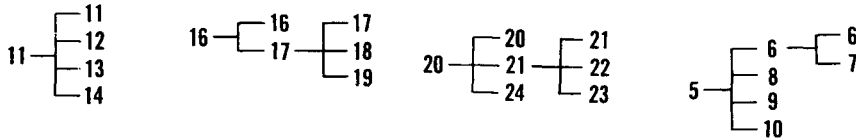
# 3



1	300064	1
2	. 224245	1
3	. 224246	1
4	. 105497	1
5	. 111069	1
6	224234	1
7	111061	2
8	300361	1
9	① 300149	1
10	111070	1
11	111054	4
12	① 300118	1
13	. 300621	1
14	. 300119	1
15	. 301135	1
16	. 322234	1
17	. 322140	1
18	. 322027	1
19	. 300475	1
20	. 300872	1
21	.. 222869	1
22	. 218941	1
23	. 216792	1
24	. 322362	1
25	. 223357	2
26	② 301133	1
27	② 300372	1
28	. 111074	1
29	② 224912	1
	③ 323106	1
30	② 224919	4
31	② 302106	1
32	② 300459	1
33	② 224916	1
	③ 301335	1
34	② . 300616	1
	③ . 302064	1
35	. 301134	1
36	. 300475	1
37	. 300872	1
38	.. 222869	1
39	. 218941	1
40	. 216792	1
41	. 224927	1
42	. 215533-01	1
43	. 223357	3
44	322140	1
45	322234	1

- ① 12400128-07  
12400128-45
- ② 12400128-12  
12400128-60  
12400128-84
- ③ 12400128-84

4



1	217444	1
2	217442	1
3	120041	2
4	217159	2
5	300651	1
6	. 322025	1
7	.. 224998	1
8	. 322626	1
9	. 300688	1
10	. 300736	1
11	300429	1
12	. 218295	1
13	. 223407	1
14	. 211214	1
15	301023	1
16	① 224062	1
17	. 300626	1
18	.. 216682	2
19	.. 217935	2
20	② 300317	1
21	. 300626	1
22	.. 216682	2
23	.. 217935	2
24	. 224499	1
25	216595	1
26	111102	1
27	322344	1

① 12400128-07  
12400128-45

② 12400128-12  
12400128-60  
12400128-84



Nom

LOCTITE™

⊕ 8	111055	1 - 2	----
⊕ 11	111058	3 - 3.5	----
⊕ 17	111053	5 - 5.6	242
⊕ 32	322847	19 - 19.7	242
⊕ 38	111053	5 - 5.6	242
⊕ 46	111054	3.4 - 4	----
⊕ 50	111065	6 - 6.7	242
⊕ 54	111065	8 - 9	242
⊕ 68	93018	12.5 - 13.5	----
⊕ 30	224919	3.4 - 4	----