

FIGURE 1

C	1	FIGURE 3							
	2	247704	1						
	3	● 235900	1						
C	4	● 228872	1						
	5	● 235899	1						
	6	247703	1						
	7	● 235899	1						
	8	● 235900	1						
C	9	● 228872	1						
B	10	227282	1						
	11	236739	1						
	12	228294	1						
B	13	236563	1						
A	14	● 236564	1						
C	15	102164	Prefix 03	1					
C		227631	Prefix 04	1					
	16	227143	PROMAC-ZETA 2	1					
		227785	TITAN-GT	2					
B	17	227145	1						
18		240496	PROMAC	1					
		227148	ZETA	1					
		227784	TITAN	1					
		241171	GT	1					
C	19	237436	1						
	20	227236	1						
	21	227274	M5x60	2					
	22	227239	1						
	23	227242	1						
C	24	227243	1						
	25	227244	1						
C	26	240493	PROMAC-ZETA	1					
C		227787	TITAN-GT	1					
A	27	● 240452	1						
B	28	● 227139	1						
B	29	● 229809	1						
C	30	● 235675	1						
A	31	227417	1						
C	32	227896	PROMAC-GT	1					
C		241151	ZETA	1					
C		227780	TITAN	1					
B	33	● 240492	1						
B	34	● 240485	1						
	35	● 227186	1						
B	36	● 227194	1						
A	37	● 227703	1						
B	38	● 227300	1						
	39	● 227467	1						
	40	● 227470	1						
	41	● 240884	1						
C	42	227874	1						
	43	● 235922	1						
	44	227774	1						
	45	227565	M5X25	4					
	46	229280	2						
	47	227862	Prefix 03	1					
		241189	Prefix 04	1					
A	48	92879	1						
	49	236322	1						
	50	236617	1						
	51	240677	Prefix 03	1					
		241200	Prefix 04	1					
C	52	● 235742	1						
C	53	FIGURE 5							
	54	227255	1						
C	55	237451	1						
	56	237452	1						
	57	240497	PROMAC	1					
		237454	ZETA	1					
		227900	TITAN	1					
		241174	GT	1					
	58	240688	M5X14	8					
	59	240688	M5X14	4					
A	60	227692	1						
	61	235803	M5X25	2					
	62	235804	M5X30	2					
	63	235806	M5X20	2					
	64	235919	M5X40	2					
	65	229563	M5X10	2					
	66	228139	1						
	67	236732	3						
	68	235248	2						
	69	236529	2						
	70	241129	1						

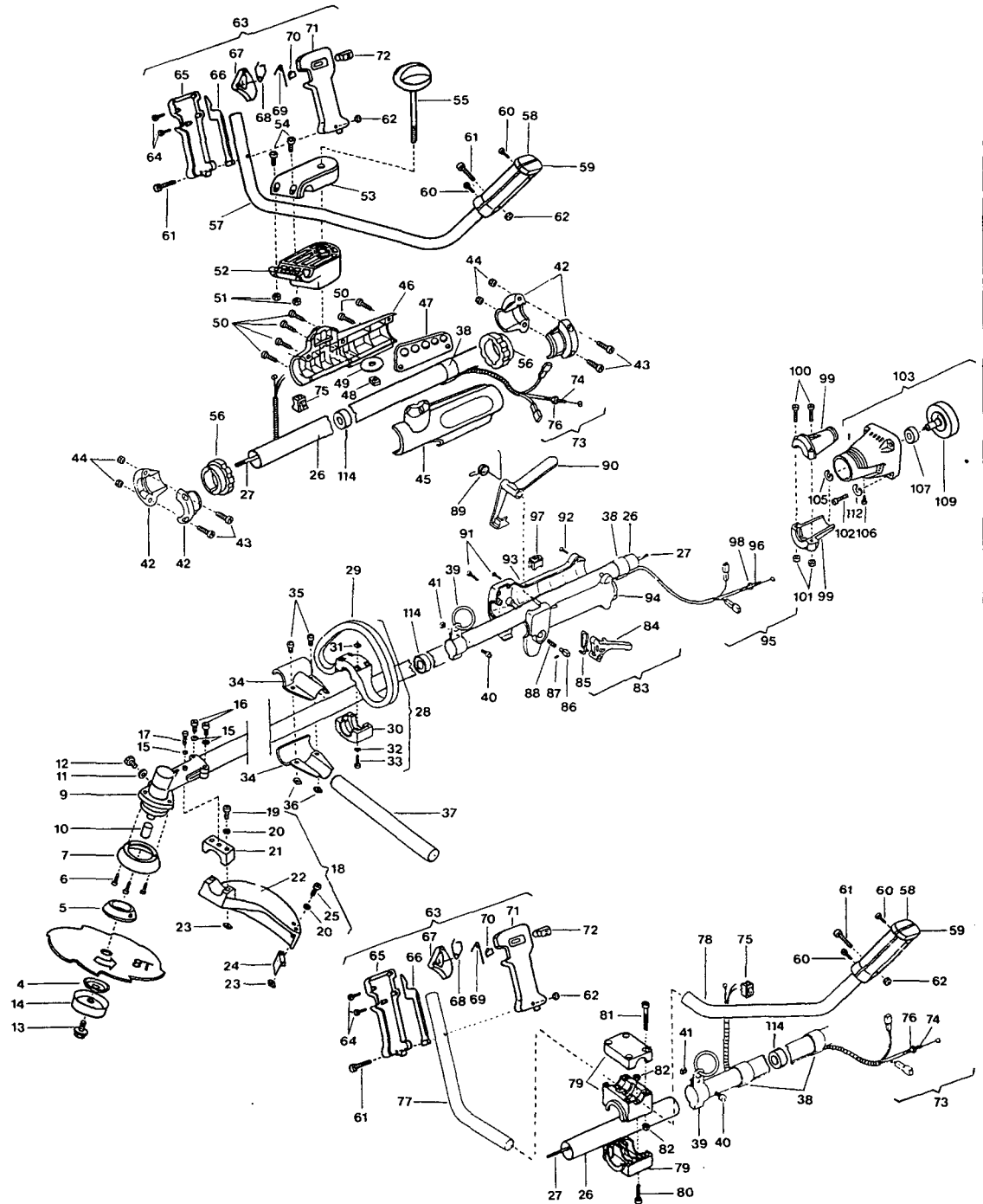
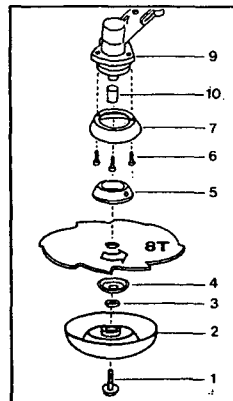
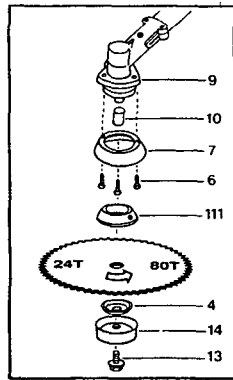
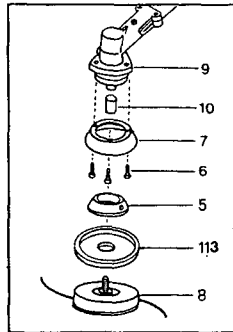
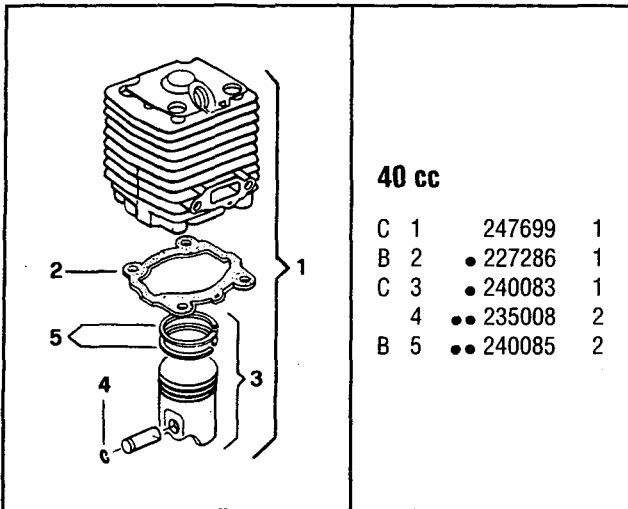


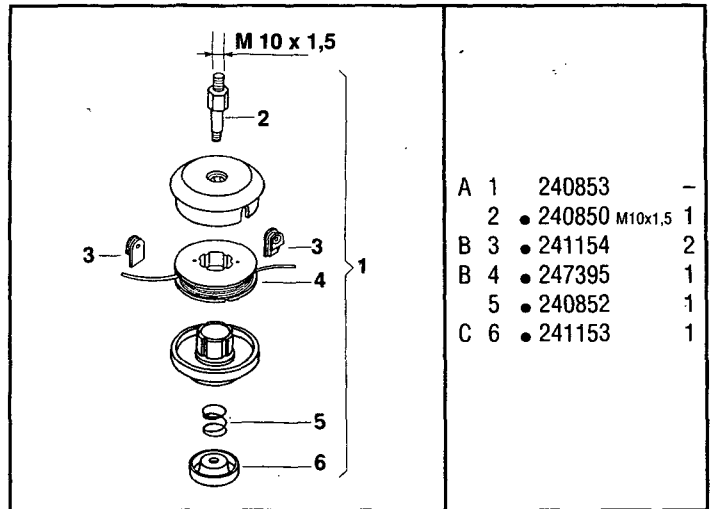
FIGURE 2

A 1	229843	M10x29	1	24	● 224497-01	1	46	240941	PROMAC	1	68	● 240091	1	91	● 240617	2	
A 2	235986		1	25	● 235802	M5x14	2	241025	TITAN	1	69	● 229973	1	92	● 240618	4	
3	236323		1	26	240830		1	47	240966	1	70	● 229823	1	93	● 240039	1	
A 4	229834		1	27	229829		1	48	241003	1	71	● 227763	1	94	● 240040	1	
A 5	229833		1	28	236999		1	49	241004	1	72	● 229824	1	C 95	● 240573	1	
6	240688	M5x14	3	29	● 236808		1	50	241002	6	C 73	● 240505	1	C 96	● 240571	1	
B 7	240767		1	30	● 236809		1	51	235216	2	C 74	● 240506	1	C 97	● 236394	1	
A 8	FIGURE 4			31	● 236642		4	52	240967	1	C 75	● 236394	1	98	235912	1	
9	240824		1	32	● 236936		4	53	240968	1	76	235912	1	99	240935	2	
10	● 247272		1	33	● 228320	M6x45	4	54	227563	M5x16	2	77	229831	1	100	235530 M5x35	2
11	● 235906			34	240682		2	55	240971	1	78	229832	1	101	235216	2	
12	● 240151	M8x10	1	35	235911	M6x12	2	56	240970	2	79	240017	1	102	235214 M6x20	4	
A 13	229842	M10x16	1	36	236642		2	57	241010	1	80	● 235921	M6x30	2	103	240905 PROMAC-ZETA	1
A 14	236596		1	37	246864		1	58	229985	1	81	● 236558	M6x40	4	240993 TITAN	1	
15	236529		3	38	229849		2	59	229984	1	82	● 235912		6	241173 GT	1	
16	235804	M5x30	2	39	236602		1	60	240833	2	83	240587	1	C105	● 236378	1	
17	236381	M5x10	1	40	235911	M6x12	1	61	235804	M5x30	2	84	● 240042	1	106	● 236381 TITAN-GT	1
B 18	247209		1	41	236642		1	62	235216	2	85	● 235932	1	C107	● 235918 TITAN-GT	1	
19	● 235806	M5x20	2	42	240969		4	63	240504	1	86	● 235892	1	C109	● 227284	1	
20	● 235248		4	43	227563	M5x16	4	64	● 240833	5	87	● 240526	1	A111	240936	1	
21	● 240870		1	44	235216		4	65	● 227764	1	88	● 235933	1	112	236528	4	
B 22	● 240932		1	45	240942	PROMAC	1	66	● 229820	1	89	● 240043	1	113	241155	1	
23	● 236732		4		241026	TITAN	1	67	● 229818	1	90	● 240041	1	114	236383	5	



40 cc

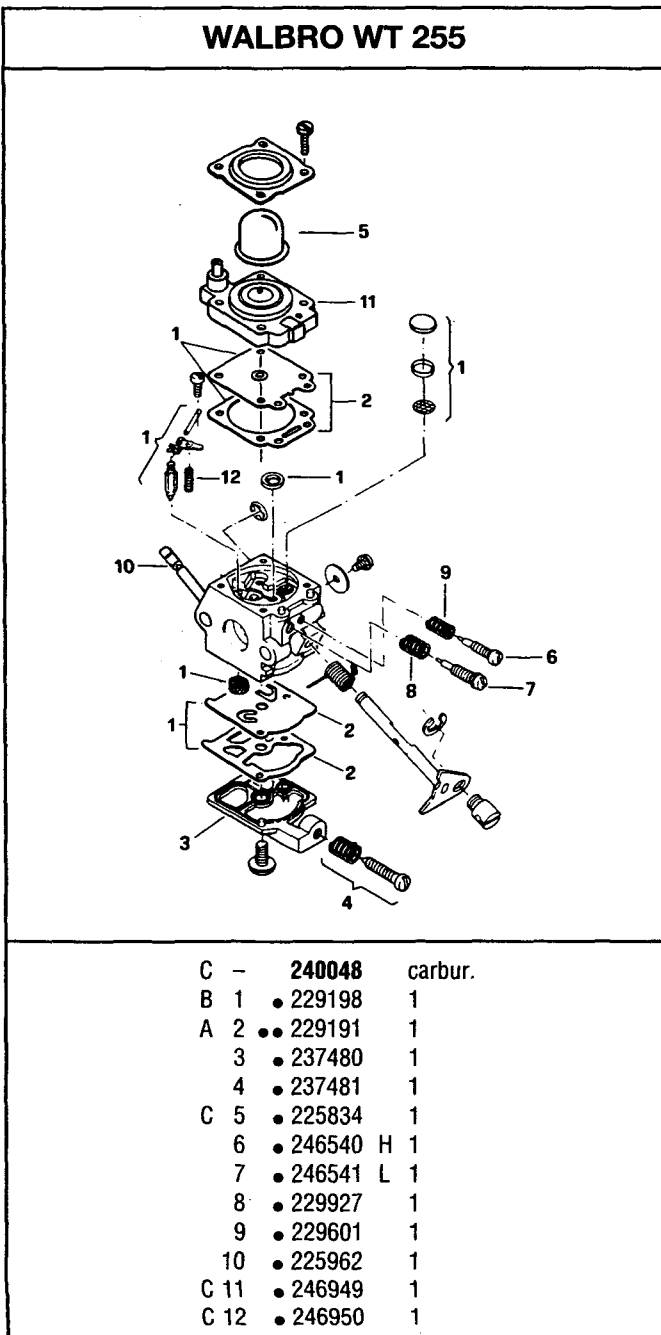
C 1	247699	1
B 2	● 227286	1
C 3	● 240083	1
4	●● 235008	2
B 5	●● 240085	2



A 1	240853	-
2	● 240850 M10x1,5	1
B 3	● 241154	2
B 4	● 247395	1
5	● 240852	1
C 6	● 241153	1

FIGURE 3

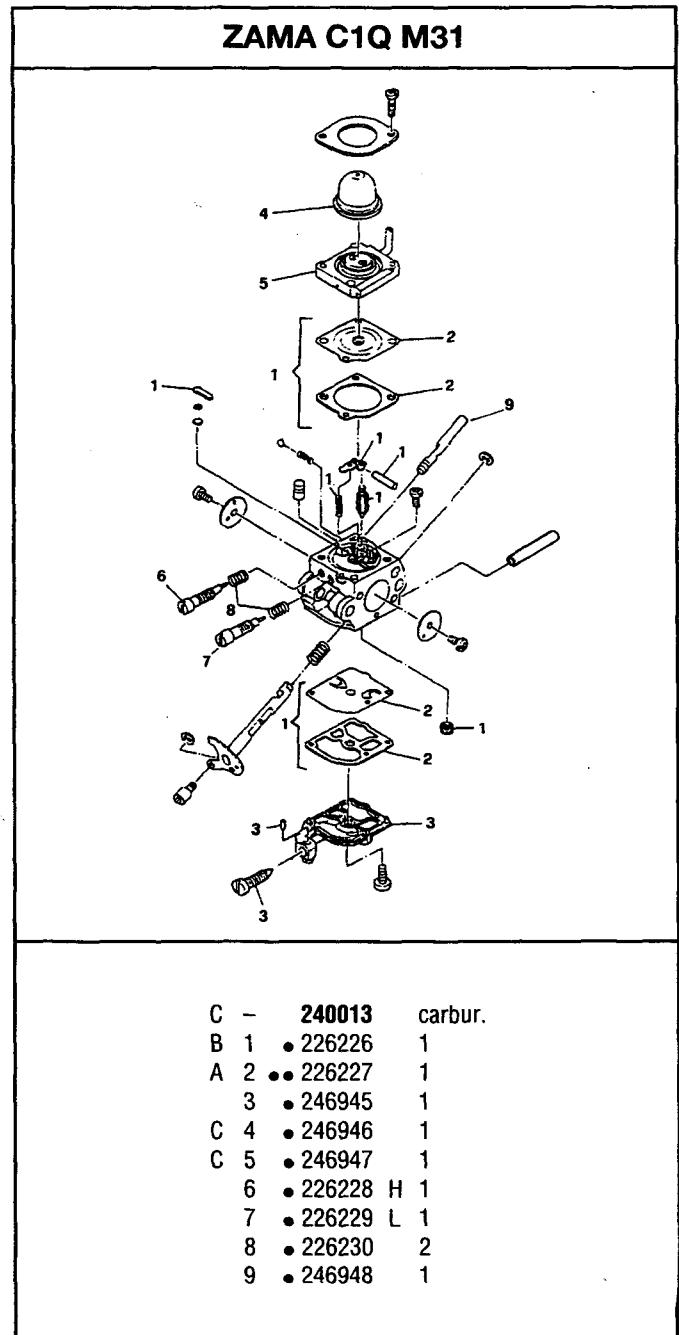
FIGURE 4



C -	240048	carbur.
B 1	● 229198	1
A 2	●● 229191	1
3	● 237480	1
4	● 237481	1
C 5	● 225834	1
6	● 246540 H	1
7	● 246541 L	1
8	● 229927	1
9	● 229601	1
10	● 225962	1
C 11	● 246949	1
C 12	● 246950	1

FIGURE 5

A = high moving - alta rotazione - haute demande - große Nachfrage
 B = medium moving - media rotazione - moyenne demande - mittelmäßige Nachfrage
 C = slow moving - bassa rotazione - basse demande - wenige Nachfrage



C -	240013	carbur.
B 1	● 226226	1
A 2	●● 226227	1
3	● 246945	1
C 4	● 246946	1
C 5	● 246947	1
6	● 226228 H	1
7	● 226229 L	1
8	● 226230	2
9	● 246948	1